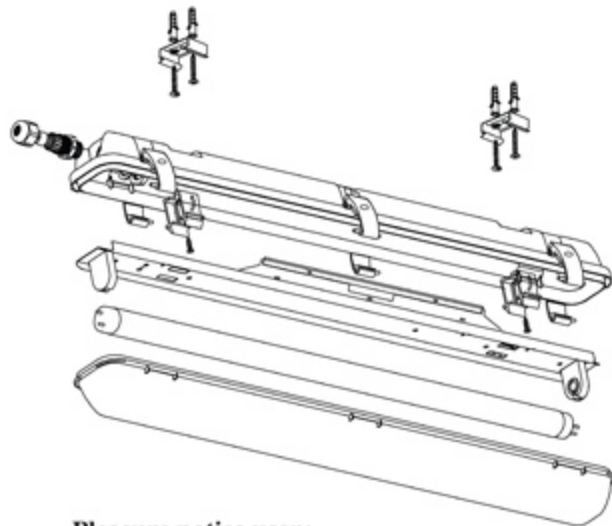
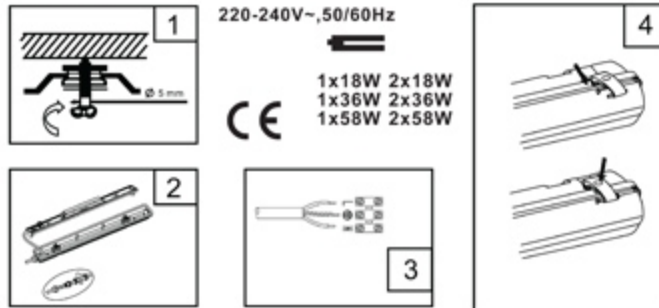




INSTRUCTIONS



Pleasure notice user:

**This product can be used only in coordination
with electronic ballast.**